

# 500X Series

Dial Sizes thru 12" • Cast Aluminum Case

INDUSTRIAL GAUGES



500XB shown

- ▶ 4 1/2", 6", 8 1/2", 12" Dial Sizes
- ▶ ±0.5% Accuracy
- ▶ Cast Aluminum Case



## Specifications

Models	Wetted Parts
500XB	Bronze tube, brass socket Lead-Free (PBF) Meets NSF/ANSI Standards 372 and 61
500SS	316L stainless steel tube and socket *
<b>Dial Sizes</b>	4 1/2", 6", 8 1/2", 12"
<b>Movement</b>	Stainless Steel
<b>Connection</b>	Lower male or lower back male, 1/4 or 1/2 NPT
<b>Case</b>	Cast aluminum, black finished, surface mounted back flanged
<b>Ring</b>	4 1/2", 6" Dial Size: Friction type, 304 stainless steel  8 1/2", 12" Dial Size: Slotted Stainless Steel
<b>Window</b>	Clear glass
<b>Pointer</b>	4 1/2", 6", 8 1/2" Dial Size: Micro adjustable, black finished  12" Dial Size: Micro-adjustable, Black finished, knife-edged
<b>Dial Face</b>	Aluminum, white background with black graduations and markings
<b>Accuracy</b>	±0.5% Full Scale, ASME B40.100 Grade 2A
<b>Maximum Temperature</b> 250°F (121°C)	
<b>Approximate Shipping Weight</b>	
4 1/2" Dial Size: 2.0 lbs [0.91 kg]	
6" Dial Size: 2.8 lbs [1.27 kg]	
8 1/2" Dial Size: 5.8 lbs [2.63 kg]	
12" Dial Size: 14.6 lbs [6.62 kg]	

\* Ranges over 10,000 psi have a Ni-Span-C bourdon tube.

The Trerice **500X Series** Industrial Gauge is designed to withstand the most demanding applications of a variety of industries. This pressure gauge has a back flanged, cast aluminum case and stainless steel ring. Wetted parts are either bronze tube with Lead-Free (PBF) brass socket or stainless steel tube and socket.

- **Optional features and case style variations available: Please consult the Options & Accessories Section for details.**
- **For correct use and application of all pressure gauges, please refer to: Pressure Gauge Standard ASME B40.100.**

**Note: "NEW" Range Codes**

## HOW TO ORDER

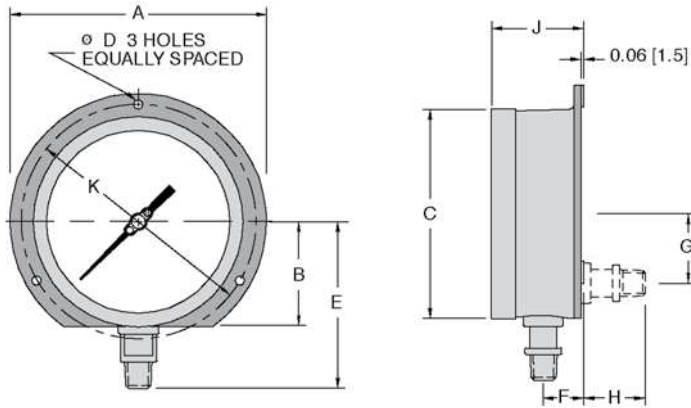
Sample Order Number: **500XB 45 02 L A 300**

Model	Dial Size	Connection Size	Connection Location	Units of Measure	Range Code
500XB	45 4 1/2"	02 1/4 NPT	L Lower	A psi	See Standard Ranges  Note: "NEW" Range Codes
500SS	60 6"	04 1/2 NPT	B Back	B kPa	
	85 8 1/2"			C kg/cm <sup>2</sup>	
	12 12"			D psi/kPa	
				E psi & kg/cm <sup>2</sup>	

# 500X Series

## Dial Sizes thru 12" • Cast Aluminum Case

All dimensions are nominal. Dimensions in [ ] are in millimeters.



Dial Size	A	B	C	D	E	F	G	H	J	K
4 1/2"	5.88 [149.7]	2.39 [60.7]	4.79 [121.7]	0.22 [5.6]	3.83 [97.2]	0.94 [23.8]	1.63 [41.3]	1.41 [35.7]	2.06 [52.4]	5.38 [136.5]
6"	7.62 [193.6]	3.14 [79.8]	6.29 [159.8]	0.28 [7.1]	4.70 [119.5]	0.93 [23.8]	1.63 [41.3]	1.41 [35.7]	2.09 [53]	7.00 [177.8]
8 1/2"	10.25 [260.4]	4.38 [111.1]	8.80 [223.4]	0.28 [7.1]	5.81 [147.5]	0.97 [24.6]	1.63 [41.3]	1.41 [35.7]	2.24 [56.8]	9.63 [244.5]
12"	14.25 [362]	N/A	12.66 [321.5]	0.28 [7.1]	7.90 [200.7]	1.02 [25.9]	1.63 [41.3]	1.19 [30.2]	2.53 [64.3]	13.50 [343]

### Standard Ranges

Note: "NEW" Range Codes

NEW Range Code	OLD Range Code	psi Ranges (A)			Corresponding kPa Ranges (B)			Corresponding kg/cm <sup>2</sup> Ranges (C)		
		Specific Range	Figure Intervals	Minor Divisions	Specific Range	Figure Intervals	Minor Divisions	Specific Range	Figure Intervals	Minor Divisions
30/0	010	30" Hg to 0	5	0.2	-100 to 0 kPa	10	1	76 cm Hg to 0	10	0.5
30/15	020	30" Hg to 15 psi	5/5	0.5/0.2	-100 to 100 kPa	20/20	2/2	76 cm Hg to 1 kg/cm <sup>2</sup>	20/0.2	1/0.2
30/30	030	30" Hg to 30 psi	10/5	1/0.5	-100 to 200 kPa	50/50	2/2	76 cm Hg to 2 kg/cm <sup>2</sup>	20/0.5	2/0.2
30/60	040	30" Hg to 60 psi	10/10	1/1	-100 to 400 kPa	50/50	5/5	76 cm Hg to 4 kg/cm <sup>2</sup>	25/0.5	5/0.5
30/100	050	30" Hg to 100 psi	30/10	2/1	-100 to 700 kPa	100/100	10/10	76 cm Hg to 7 kg/cm <sup>2</sup>	76/1	5/0.1
30/150	060	30" Hg to 150 psi	30/20	5/2	-100 to 1000 kPa	100/100	10/10	76 cm Hg to 10 kg/cm <sup>2</sup>	76/1	15/0.1
30/300	070	30" Hg to 300 psi	30/50	5/2	-100 to 2000 kPa	200/100	20/20	76 cm Hg to 21 kg/cm <sup>2</sup>	76/3	19/0.2
15	080	0 to 15 psi	3	0.1	0 to 100 kPa	10	1	0 to 1 kg/cm <sup>2</sup>	0.1	0.01
30	090	0 to 30 psi	5	0.2	0 to 200 kPa	20	2	0 to 2 kg/cm <sup>2</sup>	0.2	0.02
60	100	0 to 60 psi	10	0.5	0 to 400 kPa	50	5	0 to 4.2 kg/cm <sup>2</sup>	0.5	0.05
100	110	0 to 100 psi	10	1	0 to 700 kPa	100	5	0 to 7 kg/cm <sup>2</sup>	1	0.05
160	120	0 to 160 psi	20	1	0 to 1100 kPa	200	10	0 to 11 kg/cm <sup>2</sup>	1	0.1
200	130	0 to 200 psi	20	2	0 to 1400 kPa	200	10	0 to 14 kg/cm <sup>2</sup>	2	0.1
300	140	0 to 300 psi	50	2	0 to 2000 kPa	200	20	0 to 21 kg/cm <sup>2</sup>	3	0.2
400	150	0 to 400 psi	50	5	0 to 2800 kPa	400	20	0 to 28 kg/cm <sup>2</sup>	4	0.2
600	160	0 to 600 psi	50	5	0 to 4000 kPa	500	50	0 to 42 kg/cm <sup>2</sup>	6	0.5
1000	180	0 to 1000 psi	100	10	0 to 7000 kPa	1000	50	0 to 70 kg/cm <sup>2</sup>	10	0.5
<b>Ranges over 1000 psi are not available on 500XB.</b>										
1500	190	0 to 1500 psi	300	10	0 to 10,000 kPa	1000	100	0 to 100 kg/cm <sup>2</sup>	10	1
2000	200	0 to 2000 psi	200	20	0 to 14,000 kPa	2000	100	0 to 140 kg/cm <sup>2</sup>	20	1
3000	210	0 to 3000 psi	500	20	0 to 20,000 kPa	2000	200	0 to 210 kg/cm <sup>2</sup>	30	2
5000	220	0 to 5000 psi	500	50	0 to 35,000 kPa	5000	250	0 to 350 kg/cm <sup>2</sup>	50	2
10000	230	0 to 10,000 psi	1000	100	0 to 70,000 kPa	10,000	500	0 to 700 kg/cm <sup>2</sup>	100	10
<b>Ranges over 10,000 psi are only available on 500XSS, and have Ni-Span-C tubes.</b>										
15000	240	0 to 15,000 psi	3000	100	0 to 100,000 kPa	10,000	1000	0 to 1000 kg/cm <sup>2</sup>	100	10
20000	250	0 to 20,000 psi	2000	200	0 to 140,000 kPa	20,000	1000	0 to 1400 kg/cm <sup>2</sup>	200	10

For dual scale ranges, specify the appropriate **Units of Measure: D (psi/kPa) or E (psi & kg/cm<sup>2</sup>)** followed by the equivalent **A (psi) Range Code**. Other pressure ranges are also available including: Altitude, Ammonia, Refrigerant and Receiver. Consult Special Application Ranges section or factory for availability.

